

Technical Bulletin

Model
911/t

Group
5

Subject: Modifications on
Doors and Hinge Pillars

Part Identifier
5751

Number
9102

ATTENTION: Service Manager/Service Technician

This bulletin replaces Technical Bulletin Group 5, Number 8902, Book F, pages 113-115.

Models Affected:

**All 911 and 911 turbos
Model Years 1969 through 1989**

Concern:

Standardization of replacement doors and modifications on hinge pillars.

Service Information:

A standardized replacement door is all that is available for 911 Series vehicles from the Porsche Parts Department. Some modifications are necessary when installing these doors in 911 and 911 turbo vehicles '69 through '89 model years.

Wiring Harness Routing:

The positions for three wiring harness holes are center punch marked on new doors (Figure 1) and must be drilled and deburred as necessary compared to the old door before painting the new door.

- 1 - for electric window lift (20mm diameter)
- 2 - for outside mirror adjustment (16.5mm diameter)
- 3 - for radio speakers (12.5mm diameter)

The hole (arrow in Figure 1) must be closed with grommet Part Number 999 703 066 50.

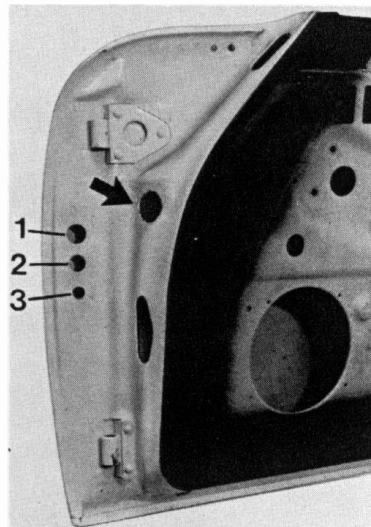


Figure 1

POSCHE CARS NORTH AMERICA - 02-01-91



Technical Bulletin	Model 911/t	Group 5
	Subject: Modifications on Doors and Hinge Pillars	Part Identifier 5751

Service Information (cont.):

Door Contact Switch for Inside Light Repositioned

During Model Year 1989, hinge pillars were modified. Hinge pillars remain available in both versions.

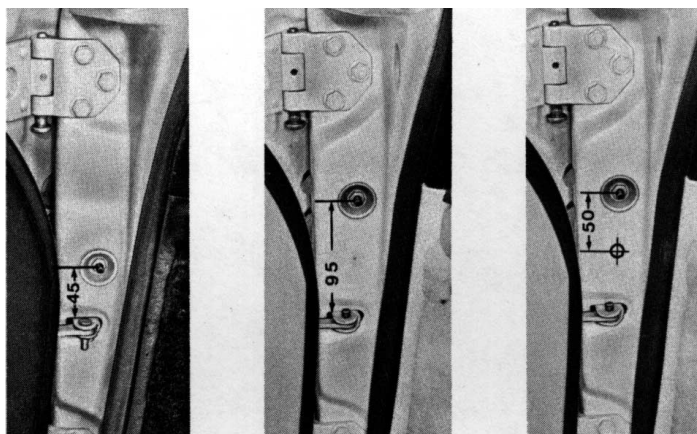
When installing the new version door on a car with the old version hinge pillar, the door contact switch for the inside light must be positioned 50mm further down.

This requires drilling a new hole, 8.4mm in diameter, 50mm below the old door contact switch hole (Figure 2). Deburr edges of the new hole and treat edges with rust prevention paint. Relocate switch into new hole. Install plug Part Number 911 531 999 00 in old hole.

Important:

Instructions for fitting and welding new door shells, printed in 911 Workshop Manual, Model Years 1965-1971, Volume II, Pages B7 through B13, are still applicable.

Workshop Manual Order Number: WKD 480 520



New version

Old version

**New version door
Old version hinge pillar**

**Figure 2
Hinge Pillars**



Technical Bulletin

Model
911/t

Group
5

Subject: Modifications on
Doors and Hinge Pillars

Part Identifier
5751

Number
9102

Parts Information:

Door	Old	New
Right	N/A	911 531 006 23
Left	N/A	911 531 005 23
Hinge Pillar		
Right	911 501 040 02	964 502 040 00
Left	911 501 039 02	964 502 039 00

Additionally, the following parts are needed when converting to the new version door.

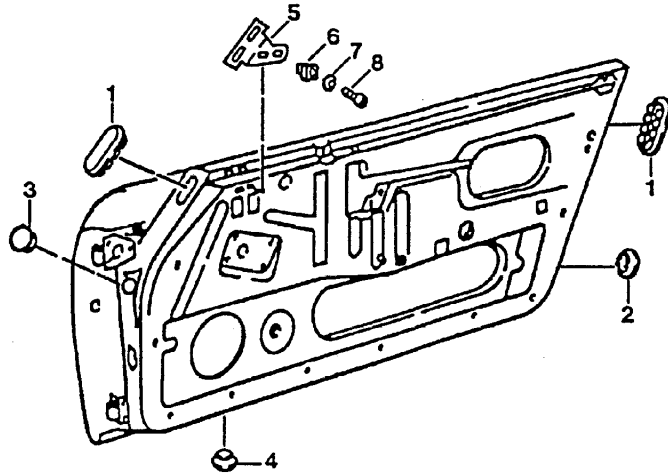


Illustration	Quantity	Description	Part Number	Remarks
—	1	Plug	911 531 999 00	For old door contact switch hole
1	2	Oval plug	999 703 345 40	
2	1	Round plug	999 703 344 40	
3	1	Grommet	999 703 066 50	
4	1	Rubber valve	999 926 018 40	
5	1	Bracket left door	911 531 955 00	Only up to MY 1986
5	1	Bracket right door	911 531 956 00	Only up to MY 1986
6	2	Nut	999 591 498 40	Only up to MY 1986
7	2	Washer	N 011 524 7	Only up to MY 1986
8	2	Bolt M6x12	N 010 212 14	Only up to MY 1986

PORSCHE CARS NORTH AMERICA INC.

